



PRODUCT LIST/ VALID FROM 7 OCTOBER 2013

thebridge



2

Queenax:
the system that turns your space into
a tool.

Queenax is designed to meet the problems and needs of space inside the clubs. It is conceived further more to accommodate the new trends of training, such as the suspension training and the functional training. With queenax the space around you becomes a tool: ceiling, floor and walls become new partners for your training.





WALL & TOWER

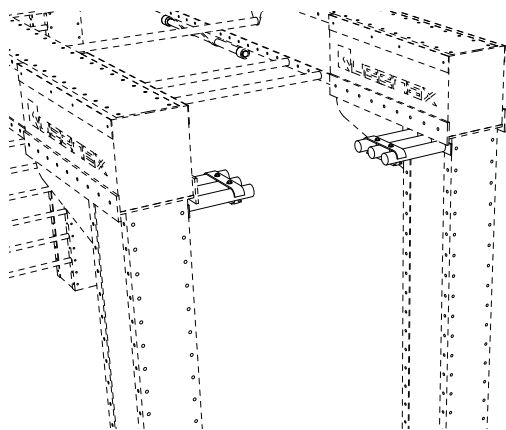


The
WALL & TOWER
SET



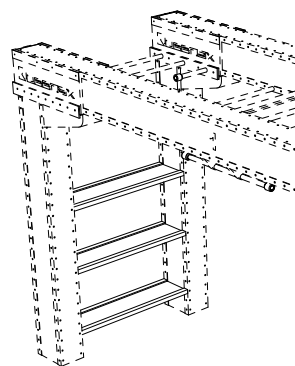
COMBI STORAGE 0 - Cod. QX300

- **Weight:** 16 Kg
- **Color:** Black
- **Quantity:** 1 CP



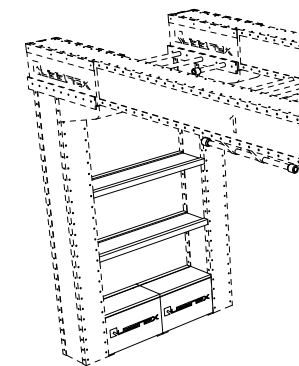
COMBI STORAGE 1 - Cod. QX301

- **Weight:** 45 Kg
- **Color:** White
- **Quantity:** 1 SET



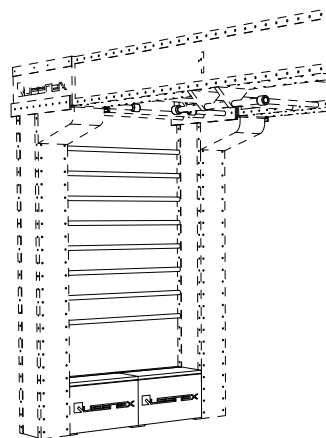
COMBI STORAGE 2 - Cod. QX302

- **Weight:** 80 Kg
- **Color:** White/Black
- **Quantity:** 1 SET



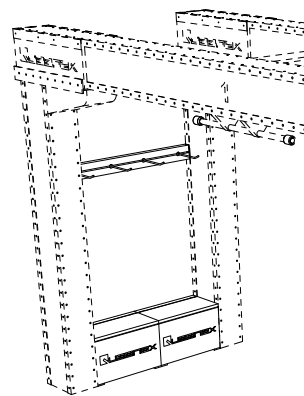
COMBI STORAGE 3 - Cod. QX303

- **Weight:** 74 Kg
- **Color:** Black
- **Quantity:** 1 SET



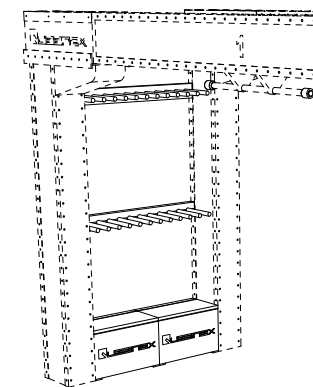
COMBI STORAGE 4 - Cod. QX304

- **Weight:** 63 Kg
- **Color:** Black
- **Quantity:** 1 SET



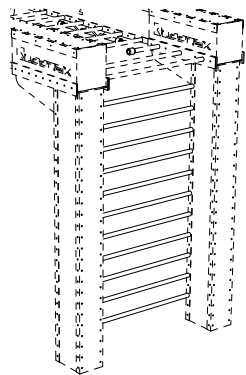
COMBI STORAGE 5 - Cod. QX305

- **Weight:** 80 Kg
- **Color:** Black
- **Quantity:** 1 SET



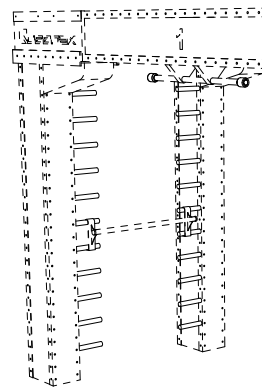
WALL BAR - Cod. QX306

- **Weight:** 33 Kg
- **Color:** Black
- **Quantity:** 1 SET (11 PCS)



STAIRS ATTACK - Cod. QX307

- **Weight:** 40 Kg
- **Color:** Black
- **Quantity:** 1 SET (11 CP)



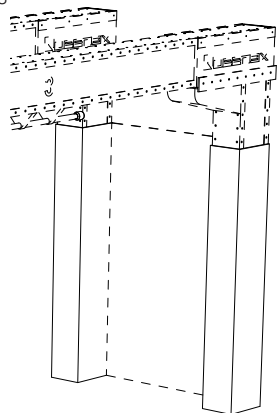


The
WALL & TOWER
ELEMENTS



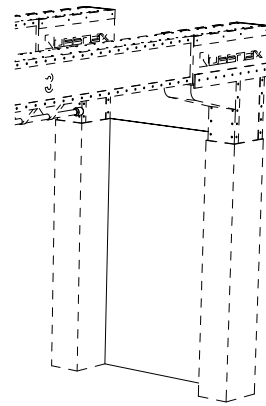
MIRROR COVER - Cod. QX308

- **Weight:** 30 Kg
- **Color:** Mirror
- **Quantity:** 1 PCS



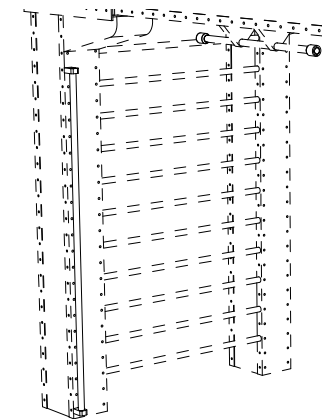
MIRROR PANEL - Cod. QX309

- **Weight:** 60 Kg
- **Color:** Mirror
- **Quantity:** 1 PCS



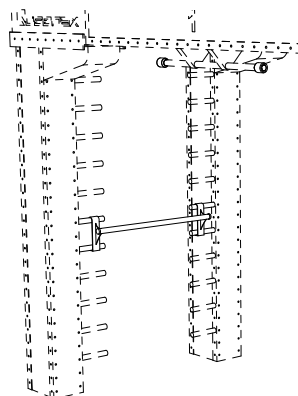
VERTICAL BAR - Cod. QX310

- **Weight:** 5 Kg
- **Color:** Black
- **Quantity:** 1 PCS



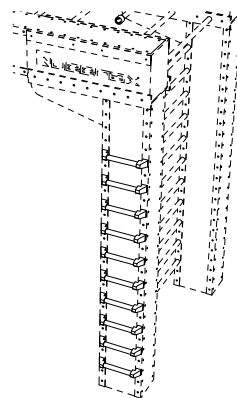
FLEXIBILITY BAR - Cod. QX311

- **Weight:** 8 Kg
- **Color:** Black
- **Quantity:** 1 PCS



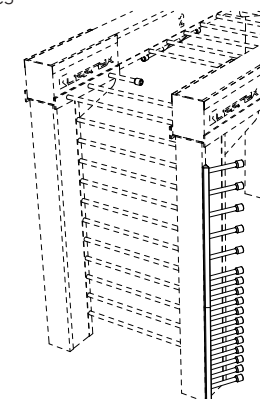
MINI WALL BAR - Cod. QX312

- **Weight:** 15 Kg
- **Color:** Black
- **Quantity:** 1 PCS



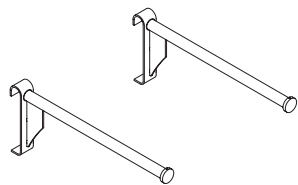
MINI WALL BAR 45° - Cod. QX313

- **Weight:** 25 Kg
- **Color:** Black
- **Quantity:** 1 PCS



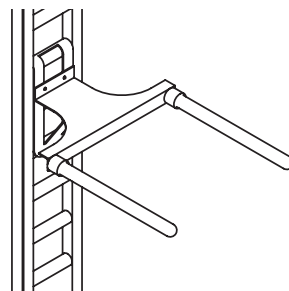
PARALLELS F/WALL BAR - Cod. QX314

- **Weight:** 12 Kg
- **Color:** Black
- **Quantity:** 1 CP



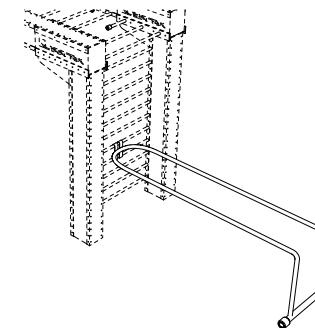
PARALLELS F/MINI WALL BAR - Cod. QX315

- **Weight:** 20 Kg
- **Color:** Black
- **Quantity:** 1 PCS



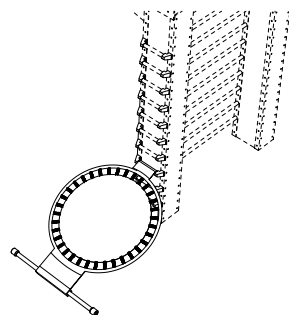
PARALLELS 300 - Cod. QX316

- **Weight:** 35 Kg
- **Color:** Black
- **Quantity:** 1 PCS



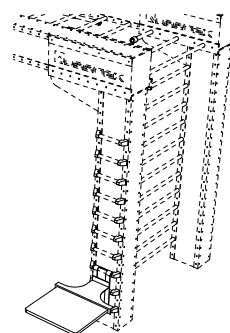
MINI TRAMP F/WALL BAR/MINI WB - Cod. QX317

- **Weight:** 30 Kg
- **Color:** Black
- **Quantity:** 1 PCS



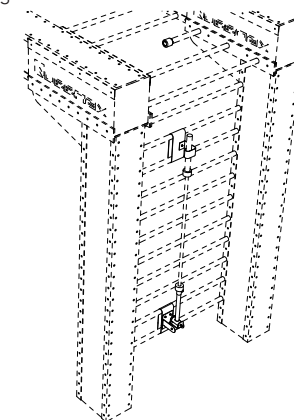
PLIOMETRIC PLATFORM F/MINI WALL BAR - Cod. QX318

- **Weight:** 20 Kg
- **Color:** Black
- **Quantity:** 1 PCS



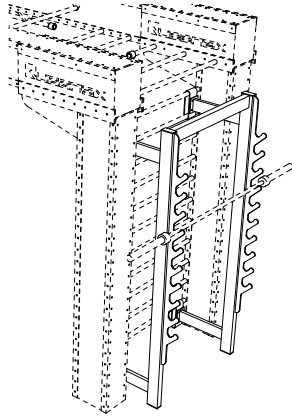
TORSO TRAINER - Cod. QX319

- **Weight:** 10 Kg
- **Color:** Black
- **Quantity:** 1 PCS



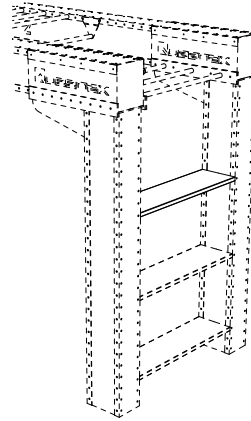
OLIMPIC RACK - Cod. QX320

- **Weight:** 70 Kg
- **Color:** White
- **Quantity:** 1 PCS



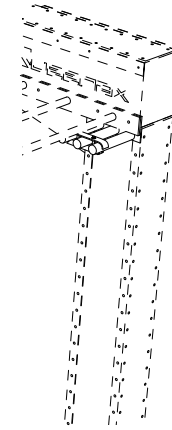
K WIND - Cod. QX321

- **Weight:** 15 Kg
- **Color:** White
- **Quantity:** 1 PCS



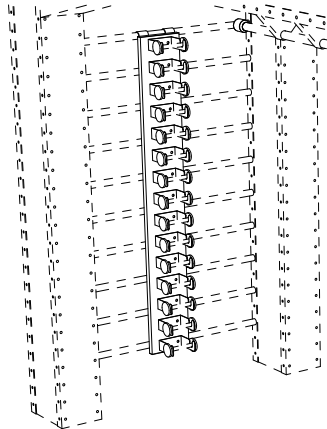
MULTI USAGE SHELF - Cod. QX322

- **Weight:** 8 Kg
- **Color:** Black
- **Quantity:** 1 PCS



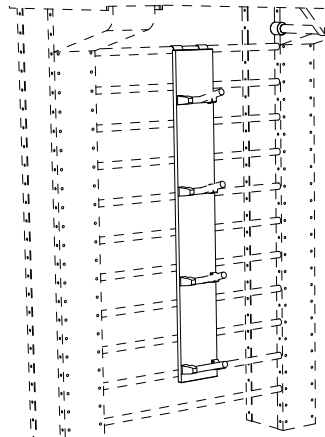
REMOVABLE VERTICAL DUMBBELL RACK - Cod. QX323

- **Weight:** 35 Kg
- **Color:** White/Black
- **Quantity:** 1 PCS



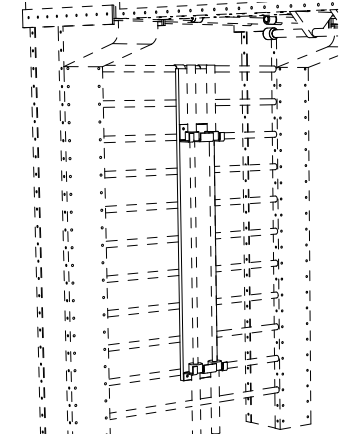
REMOVABLE VERTICAL DISC RACK - Cod. QX324

- **Weight:** 27 Kg
- **Color:** White/Black
- **Quantity:** 1 PCS



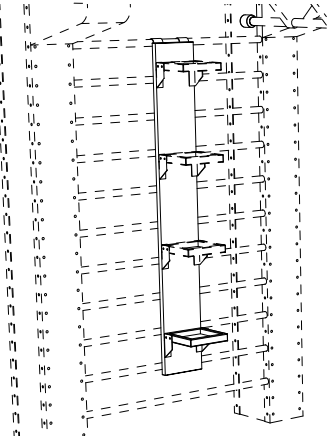
REMOVABLE VERTICAL BAR RACK - Cod. QX325

- **Weight:** 24 Kg
- **Color:** White/Black
- **Quantity:** 1 PCS



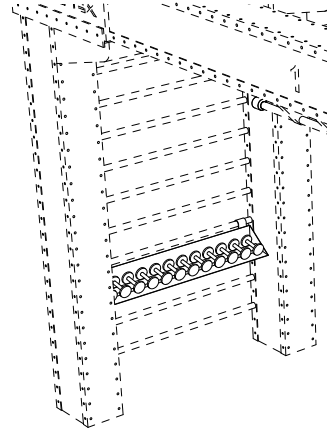
REMOVABLE VERTICAL UNIVERSAL RACK - Cod. QX326

- **Weight:** 35 Kg
- **Color:** White/Black
- **Quantity:** 1 PCS



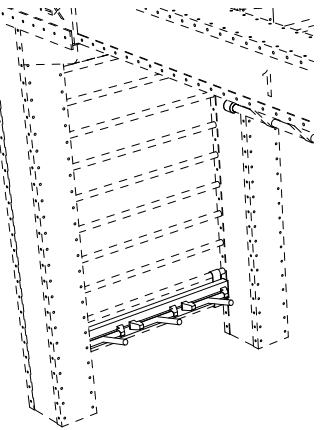
REMOVABLE HORIZONTAL DUMBBELL RACK - Cod. QX327

- **Weight:** 35 Kg
- **Color:** White/Black
- **Quantity:** 1 PCS



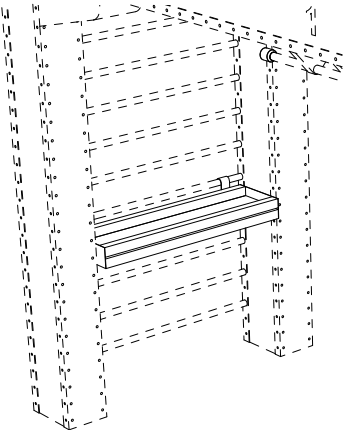
REMOVABLE HORIZONTAL DISK RACK - Cod. QX328

- **Weight:** 20 Kg
- **Color:** Black
- **Quantity:** 1 PCS



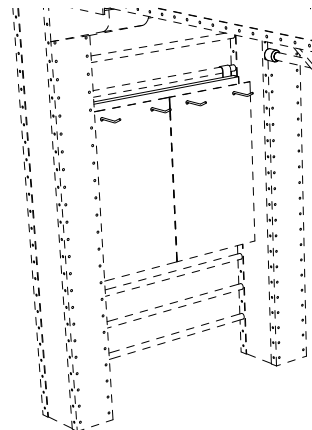
REMOVABLE HORIZONTAL UNIVERSAL RACK - Cod. QX329

- **Weight:** 35 Kg
- **Color:** White/Black
- **Quantity:** 1 PCS



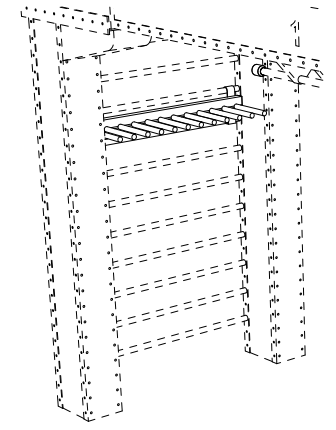
REMOVABLE HORIZONTAL MAT RACK - Cod. QX330

- **Weight:** 18 Kg
- **Color:** Black
- **Quantity:** 1 PCS



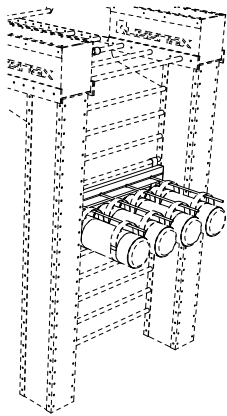
REMOVABLE HORIZONTAL BODY BAR RACK - Cod. QX331

- **Weight:** 24 Kg
- **Color:** Black
- **Quantity:** 1 PCS



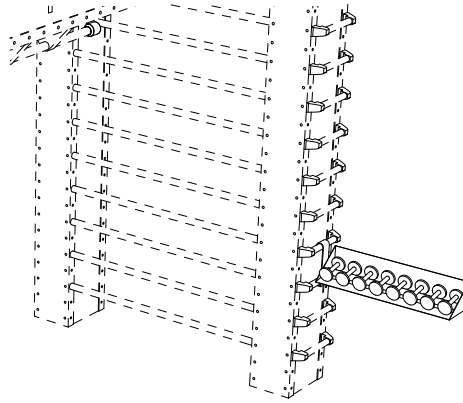
REMOVABLE HORIZONTAL BAG RACK - Cod. QX332

- **Weight:** 22 Kg
- **Color:** Black
- **Quantity:** 1 PCS



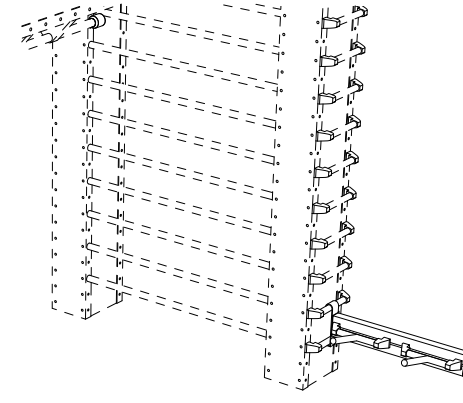
REMOVABLE LATERAL DUMBBELL RACK - Cod. QX333

- **Weight:** 25 Kg
- **Color:** White/Black
- **Quantity:** 1 PCS



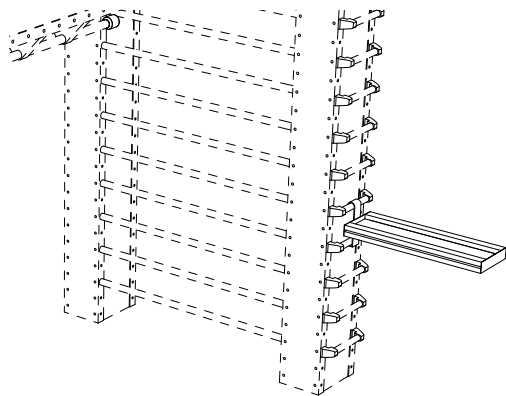
REMOVABLE LATERAL DISK RACK - Cod. QX334

- **Weight:** 15 Kg
- **Color:** Black
- **Quantity:** 1 PCS



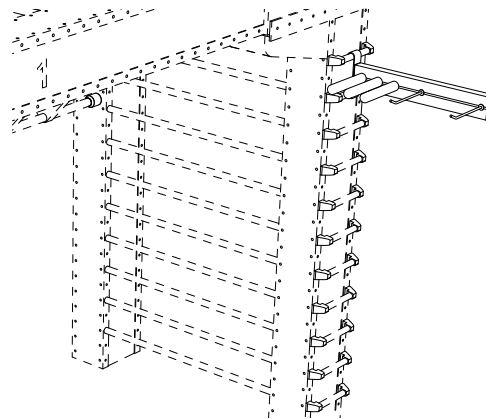
REMOVABLE LATERAL SHELF - Cod. QX335

- **Weight:** 2 Kg
- **Color:** White/Black
- **Quantity:** 1 PCS



REMOVABLE LATERAL STORAGE - Cod. QX336

- **Weight:** 20 Kg
- **Color:** Black
- **Quantity:** 1 PCS



STICKERS KIT FOR TOWER - Cod. QX337

- **Quantity:** 1 CP

